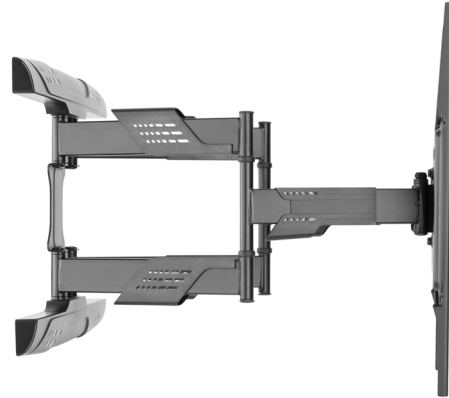


# 32"-70" display Low profile full-motion wall mount

**DELTA**CO  
A NORDIC BRAND  
**OFFICE**



## PRODUCT DATA

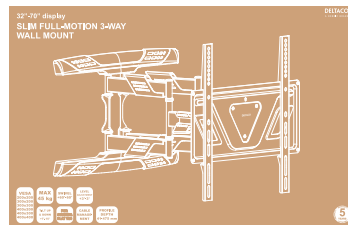
Compatible displays:	32"-70"
Max weight:	45 kg
VESA:	200x200,300X200,300X300,400x200,400X300,400x400
Profile depth:	41~475 mm
Product Category:	Full-motion Wall Mount
Tilt Range:	+7°~-15°
Swivel Range	+60°~-60°
Screen Level:	+ 3°~-3°
Material:	Steel,Plastic
Metal Sheet Thickness:	Wall Plate THK=2.5mm pickling sheet,VESA Panel THK=2mm cold-rolled sheet,Bracket Arm THK=2mm cold-rolled sheet (Wall Plate THK=0.098" pickling sheet,VESA Panel THK=0.079" cold-rolled sheet,Bracket Arm THK=0.079" cold-rolled sheet)
Surface Finish:	Powder Coating
Color:	Matte Black
Dimensions:	475x490x430mm (18.7"x19.3"x16.9")
Mounting Hole Pattern :	VESA & Universal
Strength Tested:	4 Times Approved
Installation:	Double Stud(406mm/450mm),Solid wall
Panel Type:	Detachable Panel
Wall Plate Type:	Fixed Wall Plate
Fit Curved TV:	Yes
Cable Management:	Yes
Bubble Level:	No
Accessory Kit Package:	Compartment Polybag

## LOGISTICS DATA

Article number:	ARM-0258
Brand:	DELTACO
EAN Code:	7333048042729
Country of origin:	China
Custom tariff number:	83024900
Master carton packing unit:	3
Master carton gross weight:	23 kg
Master carton dimensions:	64 x 40.5 x 18.5 cm
Package type:	Box
Package weight:	7.35 kg
Package dimensions:	62.5 x 39 x 5.5 cm

## PACKAGING

Package contents:	Wall mount, mounting kit for wall,mounting kit for display and manual
-------------------	---



-Image may differ from the actual package

## Drawing

